



Technical data

Voltage	U	230	V
Phase		1	~
Frequency	f	50	Hz
Speed	n	935	RPM
Power consumption	P _e	500	W
Nominal current	I _{nom}	2.2	A
Maximum current	I _{max}	3.4	A
Capacitor		16/400	μF/V
Ambient temperature	T _{amb min/max}	-25...40	°C
Insulation Class		CLF	
IP Class Fan		IP55	
Sound pressure level (2 m)	L _{p (meas.)}	69	dB(A)
Sound pressure level (7 m)	L _{p (calc.)}	58	dB(A)
Weight		22.8	kg
Packing dimensions		800x790x395	mm

Fan details

Impeller blades	5
Impeller type	5
Impeller system	G
Impeller material	PG

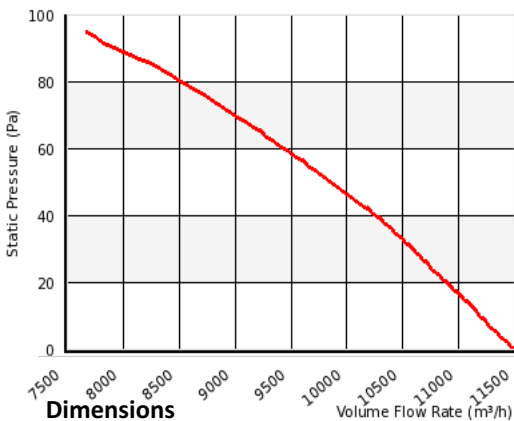
Control options

Triac controller	Yes
Transformer	Yes
Intelligent Fan Drive	Yes
RFREINV7 control	Yes

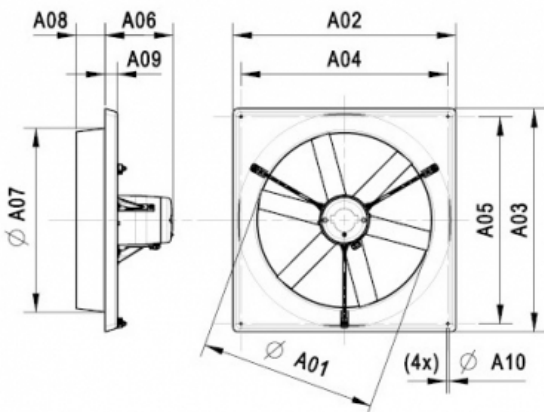
* This fan is suitable for 1~ frequency control with the Invertek Optidrive type RFREINV7. This Invertek Optidrive RFREINV7 is equipped with a special Vostermans Ventilation BV parameter set. This Invertek Optidrive RFREINV7 is available from Vostermans Ventilation BV.

Characteristics

0 Pa 11500 m³/h
50 Pa 9850 m³/h



Dimensions



- A01: 646 mm
- A02: 775 mm
- A03: 775 mm
- A04: 715 mm
- A05: 715 mm
- A06: 247 mm
- A07: 670 mm
- A08: 105 mm
- A09: 40 mm
- A10: 10 mm



Please note: Picture may deviate from original product

Approval(s)



Wiring diagram - Fan

AA01 - 1 Phase - Standard - CCW

