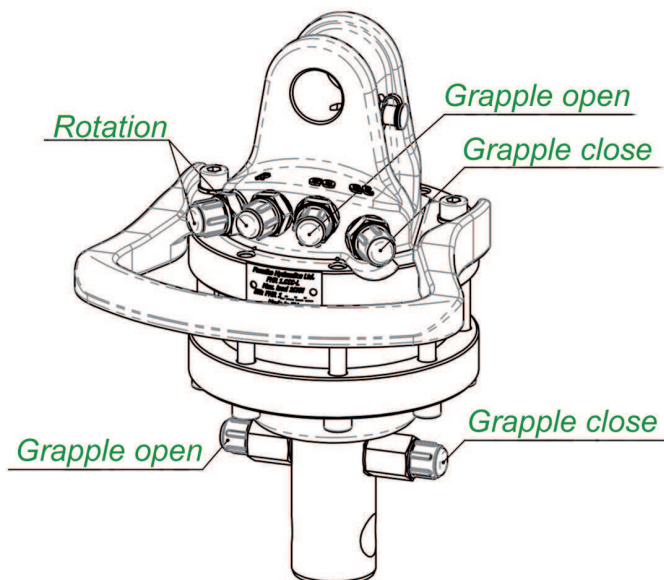
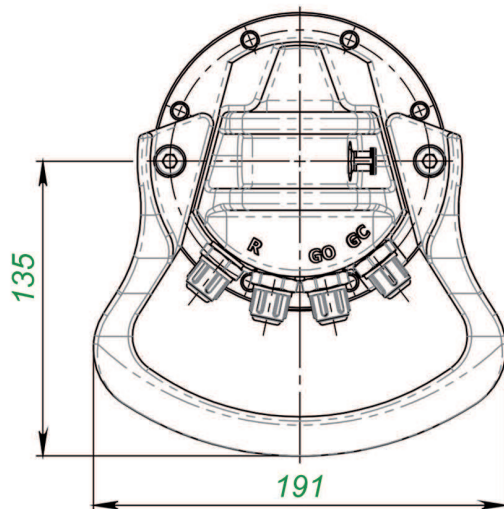
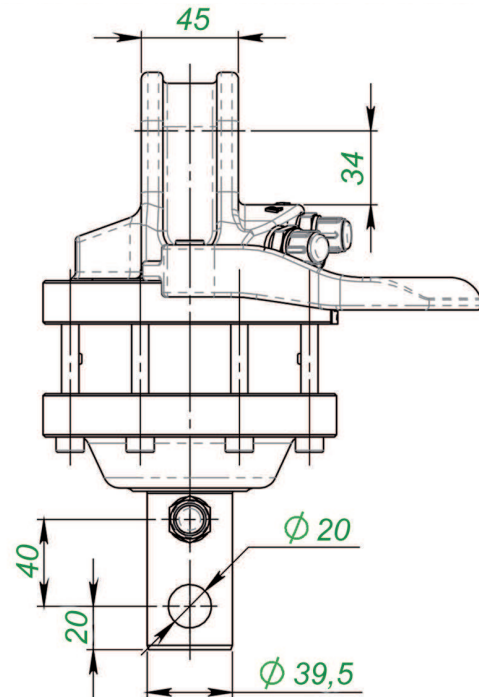
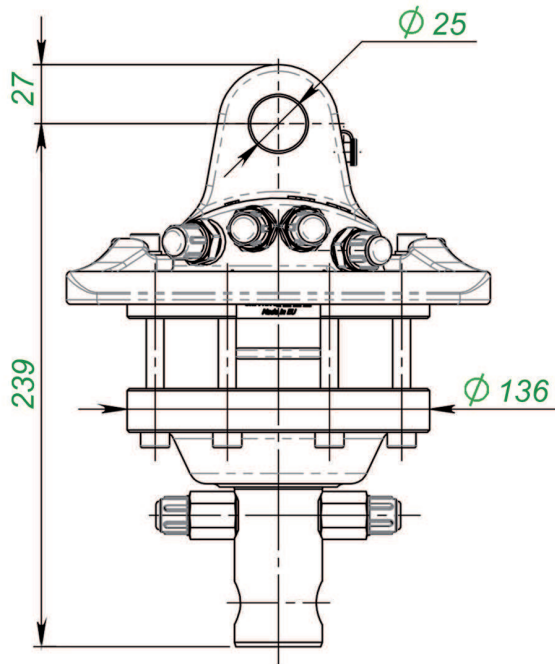


Datenblatt



TECHNICAL DATA:

Rotation	Unlimited
Max axial load dynamic	10
Max axial load static	5
Tourque at 25 MPa	350
Rec oilflow	10
Weight	10

MAXIMAL WORKING PRESSURE:

CONNECTION:

Rotator	Max 250 bar	G 1/4"
Grapple/Tool open	Max 200 bar	G 1/4"
Grapple/Tool close	Max 300 bar	G 1/4"