



### Technical data

|                            |                          |             |       |
|----------------------------|--------------------------|-------------|-------|
| Voltage                    | U                        | 230         | V     |
| Phase                      |                          | 1           | ~     |
| Frequency                  | f                        | 50          | Hz    |
| Speed                      | n                        | 1415        | RPM   |
| Power consumption          | P <sub>e</sub>           | 100         | W     |
| Nominal current            | I <sub>nom</sub>         | 0.5         | A     |
| Maximum current            | I <sub>max</sub>         | 0.7         | A     |
| Capacitor                  |                          | 03/400      | μF/V  |
| Ambient temperature        | T <sub>amb min/max</sub> | -25...40    | °C    |
| Insulation Class           |                          | CLF         |       |
| IP Class Fan               |                          | IP55        |       |
| Sound pressure level (2 m) | L <sub>p (meas.)</sub>   | 58          | dB(A) |
| Sound pressure level (7 m) | L <sub>p (calc.)</sub>   | 47          | dB(A) |
| Packing dimensions         |                          | 460x460x315 | mm    |

### Fan details

|                   |    |
|-------------------|----|
| Impeller blades   | 6  |
| Impeller type     | 3  |
| Impeller system   | C  |
| Impeller material | PP |

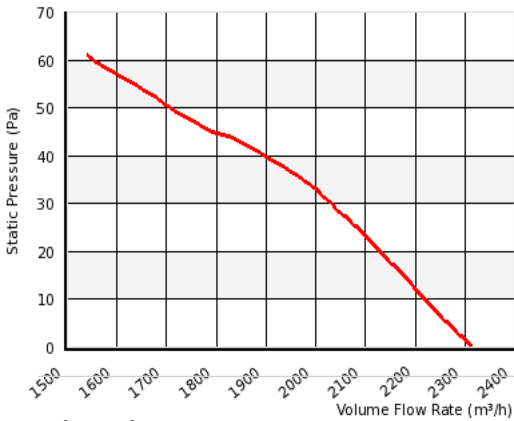
### Control options

|                       |     |
|-----------------------|-----|
| Triac controller      | Yes |
| Transformer           | Yes |
| Intelligent Fan Drive | Yes |
| RFREINV7 control      | Yes |

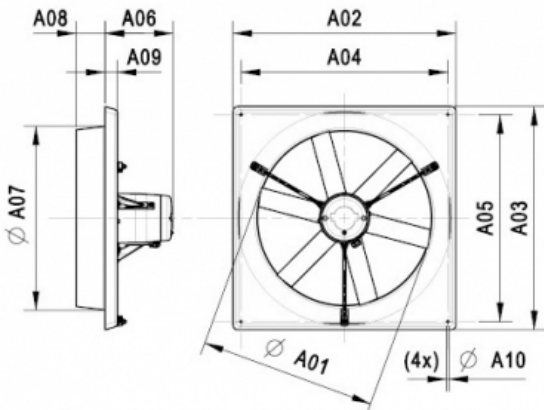
\* This fan is suitable for 1~ frequency control with the Invertek Optidrive type RFREINV7. This Invertek Optidrive RFREINV7 is equipped with a special Vostermans Ventilation BV parameter set. This Invertek Optidrive RFREINV7 is available from Vostermans Ventilation BV.

### Characteristics

0 Pa 2300 m<sup>3</sup>/h  
50 Pa 1700 m<sup>3</sup>/h



### Dimensions



|      |        |
|------|--------|
| A01: | 312 mm |
| A02: | 443 mm |
| A03: | 443 mm |
| A04: | 395 mm |
| A05: | 395 mm |
| A06: | 192 mm |
| A07: | 340 mm |
| A08: | 84 mm  |
| A09: | 36 mm  |
| A10: | 8 mm   |



Please note: Picture may deviate from original product

### Approval(s)



### Wiring diagram - Fan

AA01 - 1 Phase - Standard - CCW

