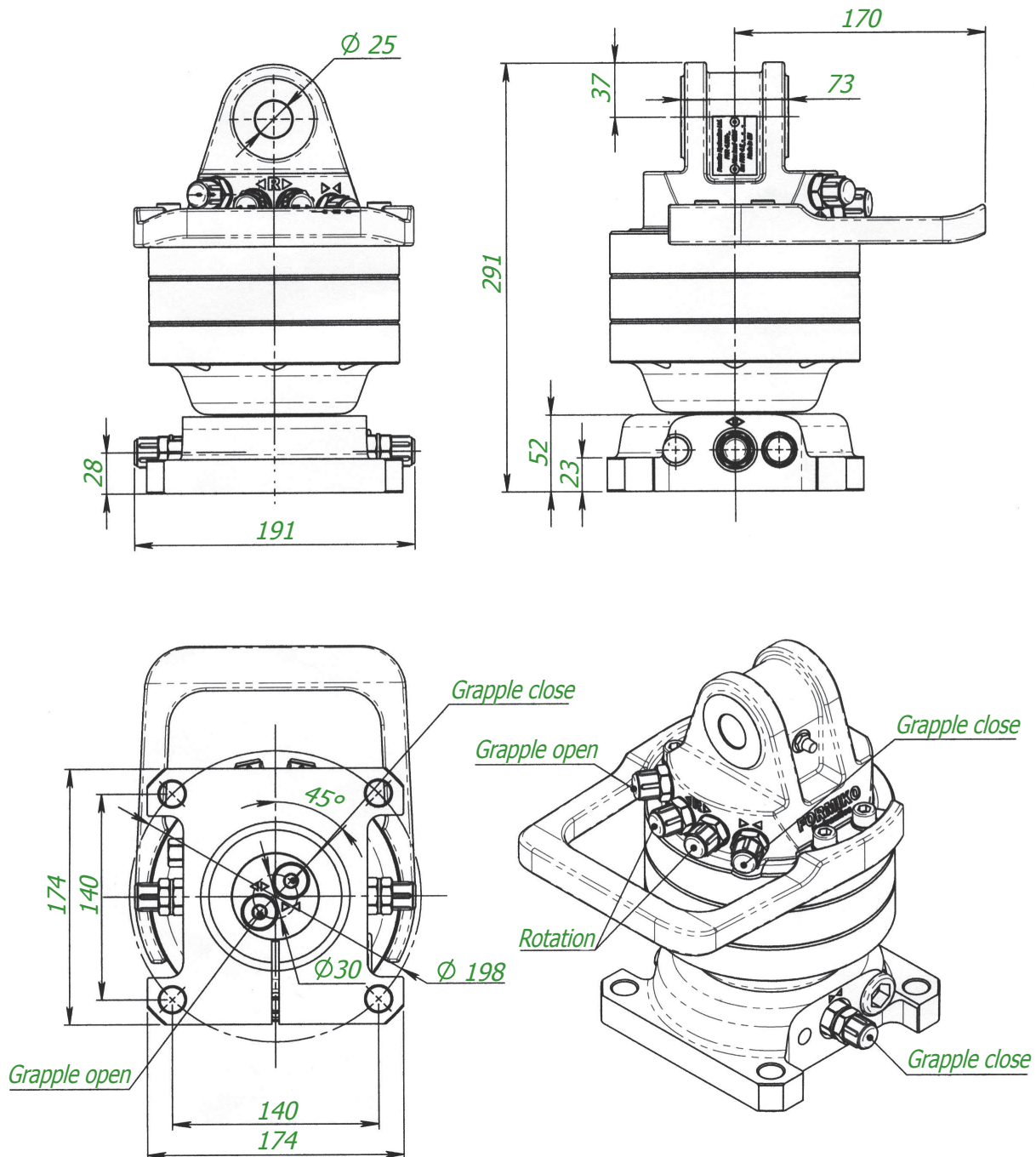


# Datenblatt



**Technical data:**

Rotation	Unlimited
Max axial load static, kN	45
Max axial load dynamic, kN	25
Torque at 250 bar, Nm	1050
Rec oilflow, l/min	20
Weight, kg	25

**Maximal working pressure:**

Rotation	Max 250 bar	G 3/8"
Grapple close	Max 300 bar	G 3/8"
Grapple open	Max 200 bar	G 3/8"

**Connection:**